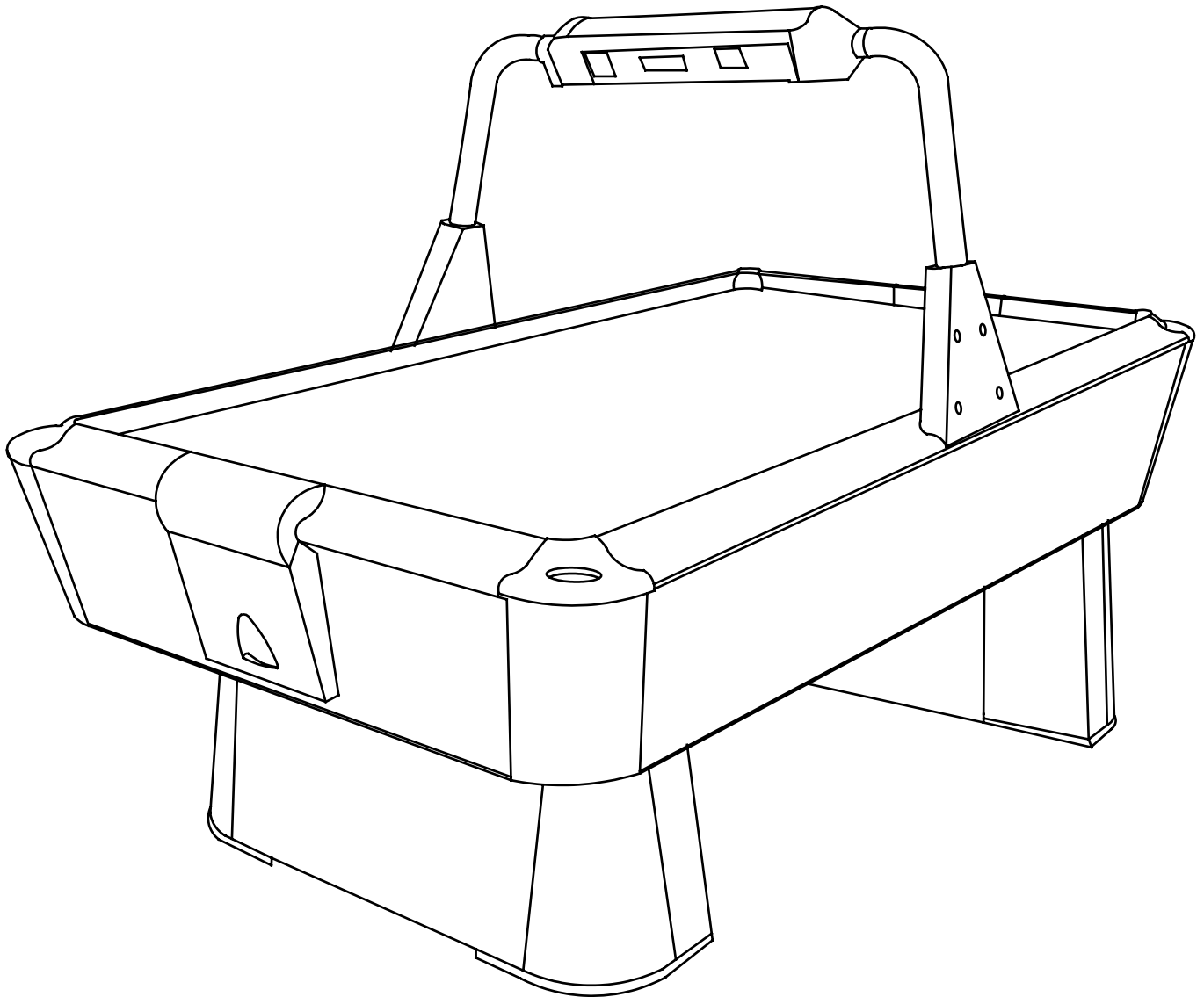




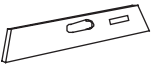


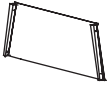

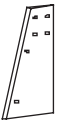
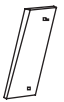








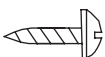
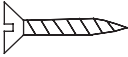
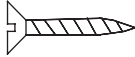
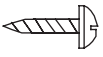
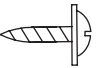



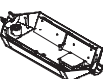



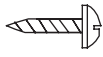





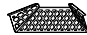
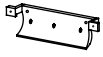
MODEL NUMBER: 34-873

RHINO AIR HOCKEY


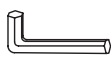
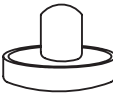








INSTRUCTION MANUAL

Parts List

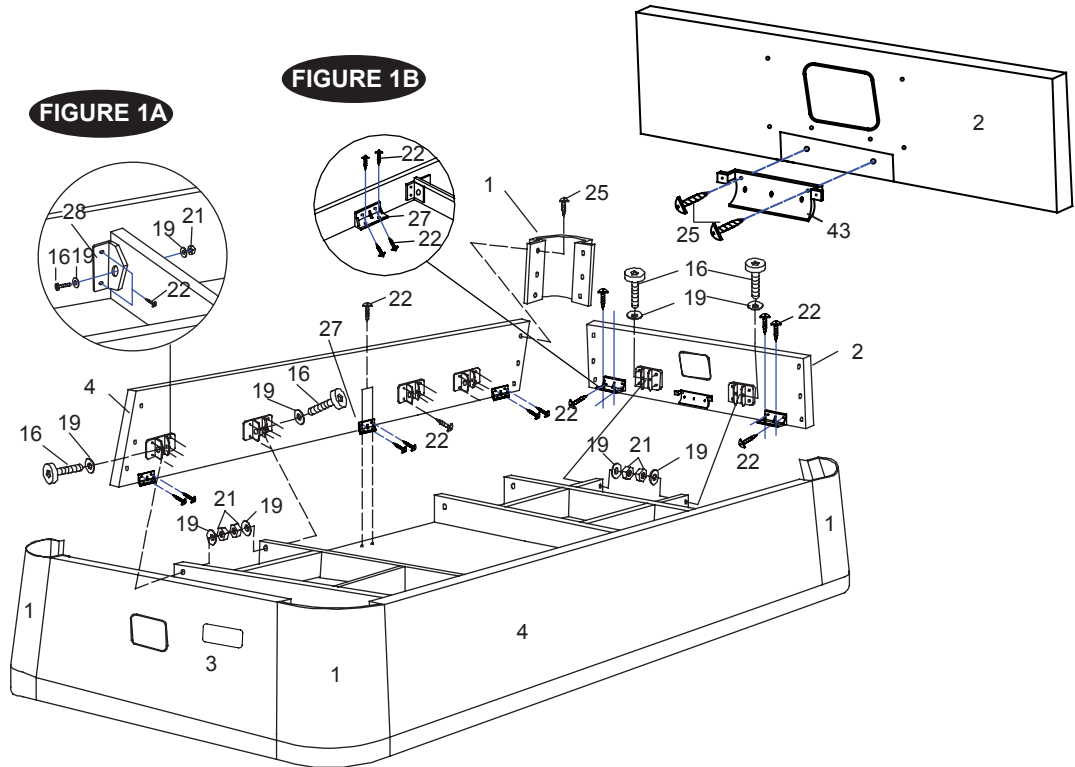
| | | | | | |
|--|---|--|--|--|---|
| <p>#1</p>  <p>Apron Corner 4 Pieces</p> | <p>#2</p>  <p>End Panel 1 Pieces</p> | <p>#3</p>  <p>End Apron With Opening 1 Piece</p> | <p>#4</p>  <p>Side Apron 2 Piece</p> | <p>#5</p>  <p>Leg End Panel- Outside 2 Pieces</p> | <p>#6</p>  <p>Leg End Panel- Inside 2 Pieces</p> |
| <p>#7</p>  <p>Left Leg Panel 2 Pieces</p> | <p>#8</p>  <p>Right Leg Panel 2 Pieces</p> | <p>#9</p>  <p>Leg Support Board-A 2 Pieces</p> | <p>#10</p>  <p>Leg Support Board-B 2 Pieces</p> | <p>#11</p>  <p>Rounded Leg Panel 4 Pieces</p> | <p>#12</p>  <p>Leg Side Panel 2 Pieces</p> |
| <p>#13</p>  <p>Left Leg Base 2 Pieces</p> | <p>#14</p>  <p>Right Leg Base 2 Pieces</p> | <p>#15</p>  <p>8X38mm Hex Bolt 8 Pieces</p> | <p>#16</p>  <p>8X38mm Allen Key Bolt 12 Pieces</p> | <p>#17</p>  <p>6.5X35mm Allen Key Bolt 24 Pieces</p> | <p>#18</p>  <p>6.5X38mm Allen Key Bolt 4 Pieces</p> |
| <p>#19</p>  <p>8X19mm Washer 32 Pieces</p> | <p>#20</p>  <p>6.5X15mm Washer 28 Pieces</p> | <p>#21</p>  <p>8mm Hex Nut 12 Pieces</p> | <p>#22</p>  <p>4X18mm Round Head Screw 96 Pieces</p> | <p>#23</p>  <p>4X44.5mm Flat Head Screw 20 Pieces</p> | <p>#24</p>  <p>4X32mm Flat Head Screw 8 Pieces</p> |
| <p>#25</p>  <p>4X12mm Round Head Screw 60 Pieces</p> | <p>#26</p>  <p>3X18mm Washer Head Screw 14 Pieces</p> | <p>#27</p>  <p>L Plastic Bracket 10 Pieces</p> | <p>#28</p>  <p>U Plastic Bracket 12 Pieces</p> | <p>#29</p>  <p>Puck Return Box- Outside 2 Pieces</p> | <p>#30</p>  <p>Puck Return Box- Inside 2 Pieces</p> |
| <p>#31</p>  <p>Electronic Scorer -Base 1 Piece</p> | <p>#32</p>  <p>Electronic Scorer -Top 1 Piece</p> | <p>#33</p>  <p>Pole Base-Outside 2 Pieces</p> | <p>#34</p>  <p>Pole Base-Inside 2 Pieces</p> | <p>#35</p>  <p>Plastic Nut 2 Pieces</p> | <p>#36</p>  <p>4X15mm Round Head Screw 2 Pieces</p> |
| <p>#37</p>  <p>Scorer Support 2 Pieces</p> | <p>#38 (Pre-Installed)</p>  <p>Top Puck Return Box 2 Pieces</p> | <p>#39</p>  <p>Screw Cap 8 Pieces</p> | <p>#40</p>  <p>Control Box 1 Piece</p> | <p>#41 (Pre-Installed)</p>  <p>Blower And Wire 1 Piece</p> | <p>#42</p>  <p>Puck Return Tray 2 Pieces</p> |
| <p>#43</p>  <p>Goal Support Panel 2 Pieces</p> | | | | | |

Parts List

| | | | | | |
|---|--|--|---|--|--|
| <p>#A1 (Pre-Installed)</p>  <p>Puck Catcher Wire 2 Pieces</p> | <p>#A2</p>  <p>4mm Allen Key 1 Piece</p> | <p>#A3</p>  <p>Pusher 4 Pieces</p> | <p>#A4</p>  <p>Hockey Puck 4 Pieces</p> | <p>#A5</p>  <p>1mm Shim 3 Pieces</p> | <p>#A6</p>  <p>2mm Shim 3 Pieces</p> |
| <p>#A7</p>  <p>3mm Shim 3 Pieces</p> | <p>#A8</p>  <p>Wrench 1 Piece</p> | <p>#A9</p>  <p>Adapter 1 Piece</p> | | | |

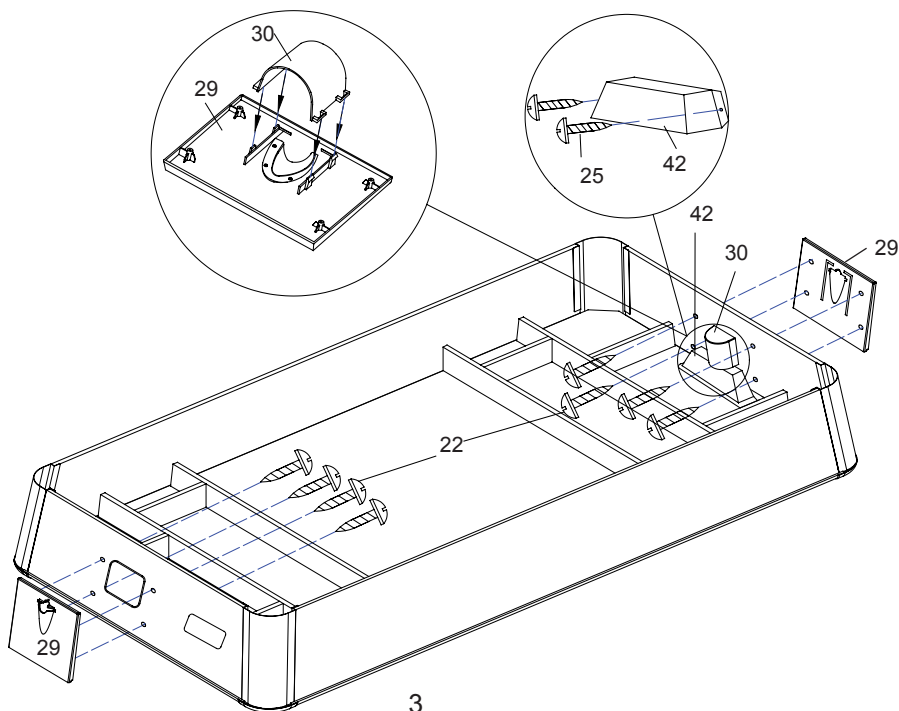
STEP:1

- Attach one Goal Support Panel (#43) to each End Apron (#2) using two Screws (#25) per Goal Support Panel.
- Attach four Plastic "U" Brackets (#28) to both the Side Panel (#4) and (#3) using four Screws (#22) per U Bracket.
- Attach three "L" Bracket (#27) to both Side Aprons (#3 and 4) and two "L" Bracket (#27) to End Aprons (#2) using two Screws (#22) per Bracket. See Fig. 1B.
- Attach two Plastic "U" Brackets (#28) to both the End Aprons (#2) using four Screws (#22) per U Bracket. See Fig. 1A.
- Place the Side and End Aprons onto the cabinet so that the "U" Brackets fit around the cabinet supports. See Fig. 1A.
- Attach each "U" Bracket (#28) to the cabinet supports with one Bolt (#16) two Washers (#19) and one Nut (#21).
- Now attach the previously-installed "L" Brackets (#27) to the cabinet using two Screws (#22) per L Bracket.
- Attach each Apron Corner (#1) between one Side Apron and one End Apron using six Screws (#25) per Corner.



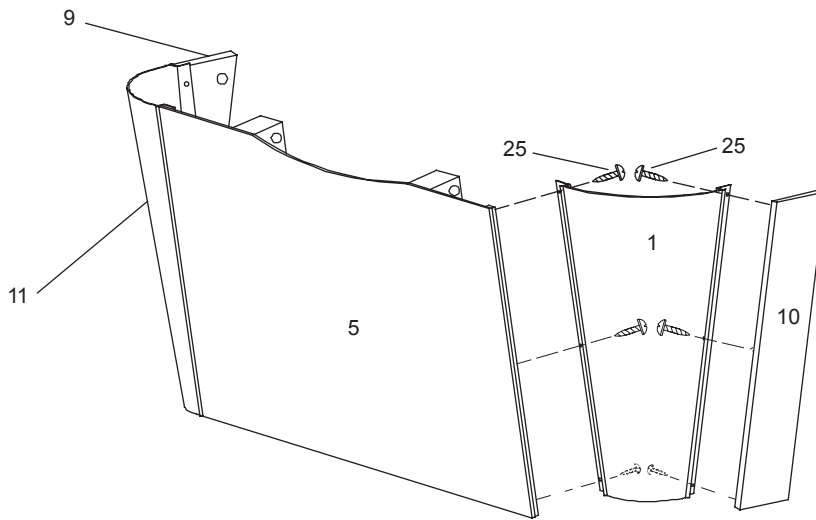
STEP:2

- Attach the Puck Return Trays (#42) to the End Aprons (#2) using two Screws (#25) per Puck Return Tray.
- Snap the Puck Return Boxes - Inside (#30) to the Puck Return Boxes - Outside (#29) as shown.
- Attach the Puck Return Boxes - Outside (#29) to the End Aprons (#2) using four Screws (#22) per Puck Return Box - Outside.



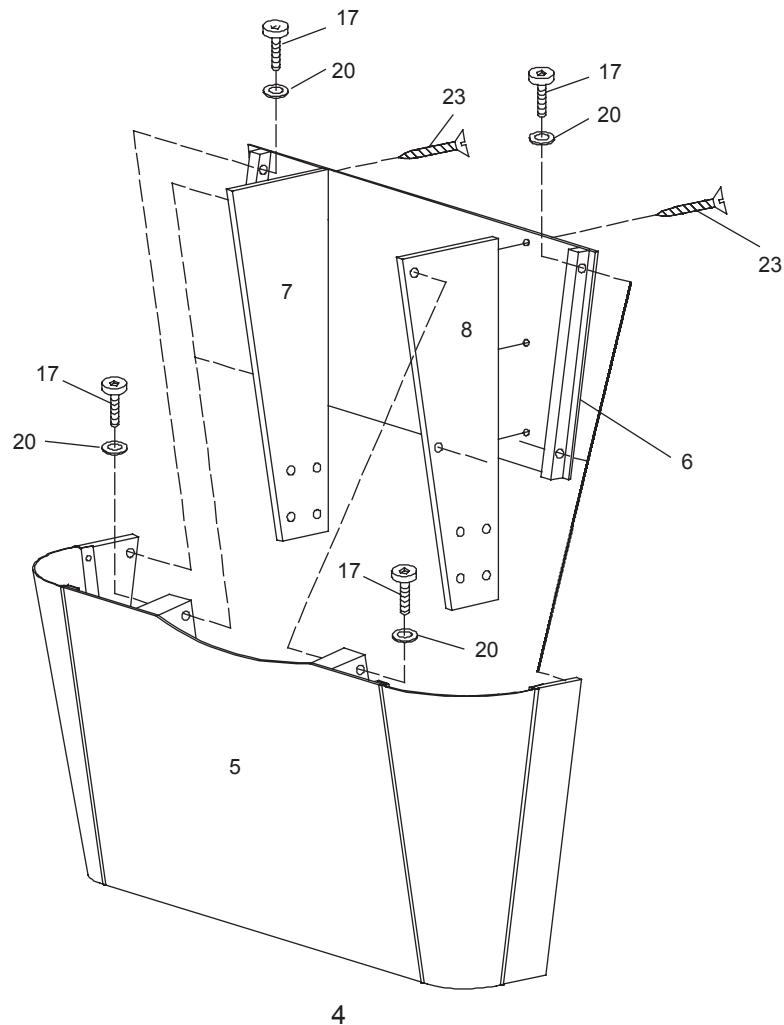
STEP:3

- Attach two Rounded Leg Panels (#11) to one Leg End Panel - Outside (#5) using three Screws (#25)
- Attach Leg Support Board - A (#9) and the Leg Support Board - B (#10) to the Rounded Leg Panels (#11) using three Screws (#25).
- Repeat the same for the other Leg End Panel.



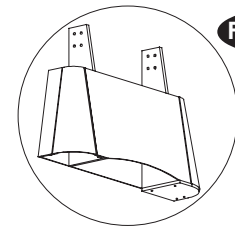
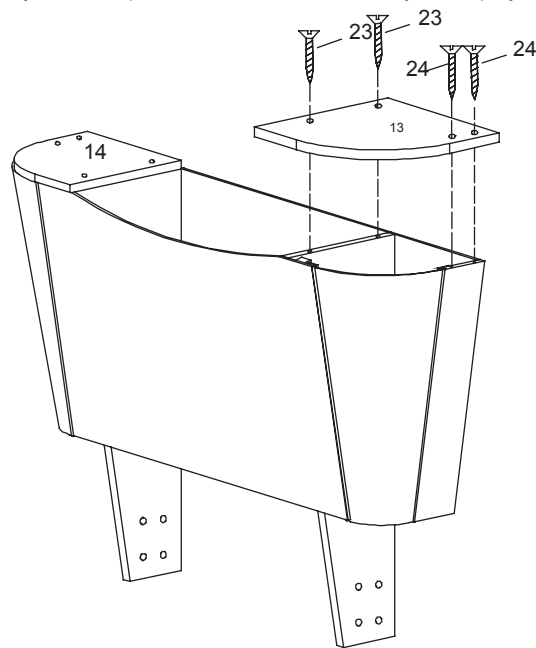
STEP:4

- Attach one Left Leg Panel (#7) and one Right Leg Panel (#8) to one Leg End Panel - Inside (#6) using three Screws (#23) per Leg Panel.
- Attach the assembled Leg Panels and attach to one leg assembled in step3 using four Bolts (#17) and four Washers (#20). and then attach the Leg End panel-inside (#6) to one leg assembled in step3 with four Bolts (#17) and four washers(#20).
- Repeat the same for the other leg assembly.



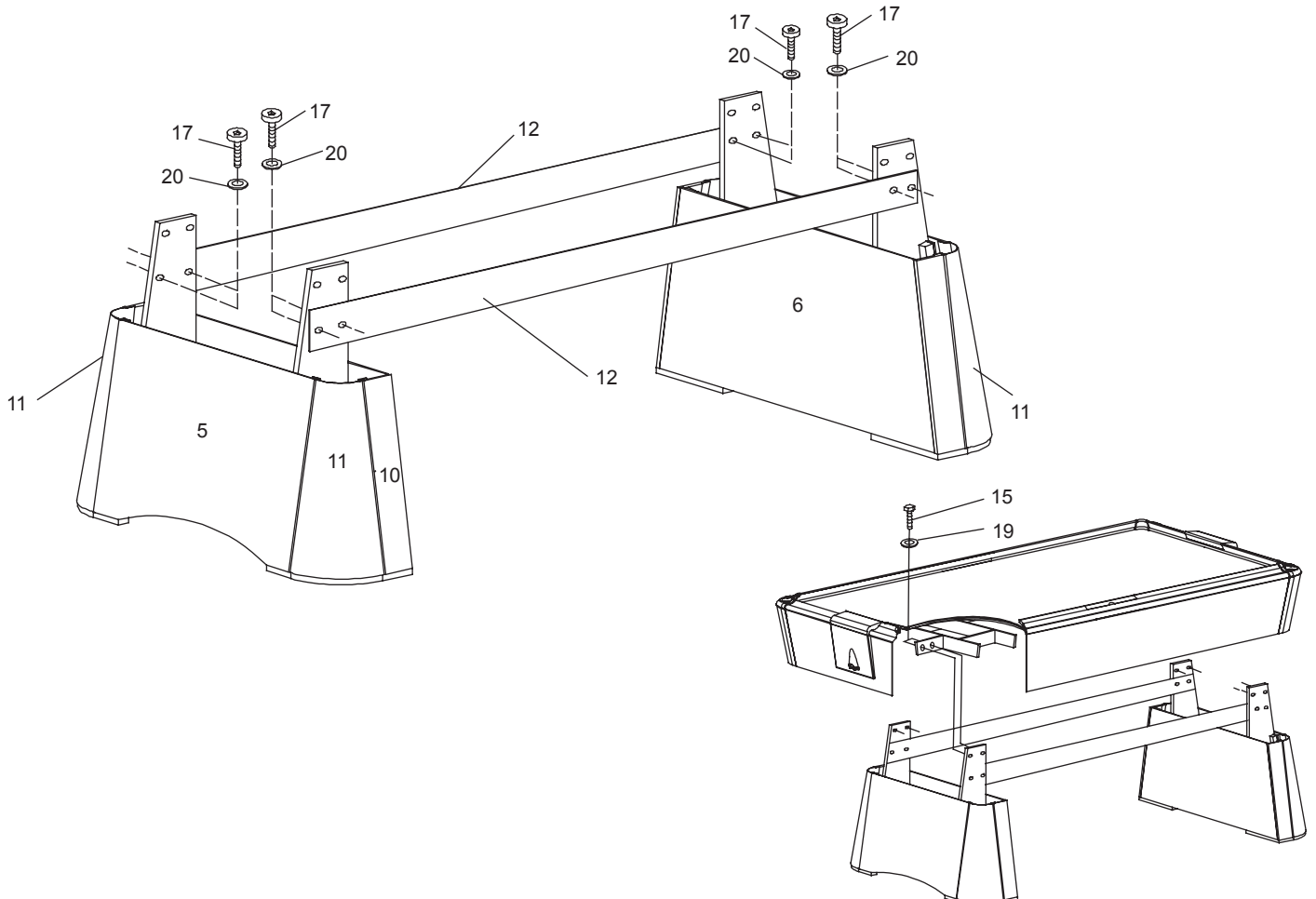
STEP:5

- Attach one Left (#13) and Right (#14) Leg Base to each side of one leg assembly using two Screws (#24) and two Screws (#23). See Figure 5.
- Repeat the same for the other leg assembly.
- Carefully turn the the leg assembly over and place it in the location where you will play. See Figure 5A.



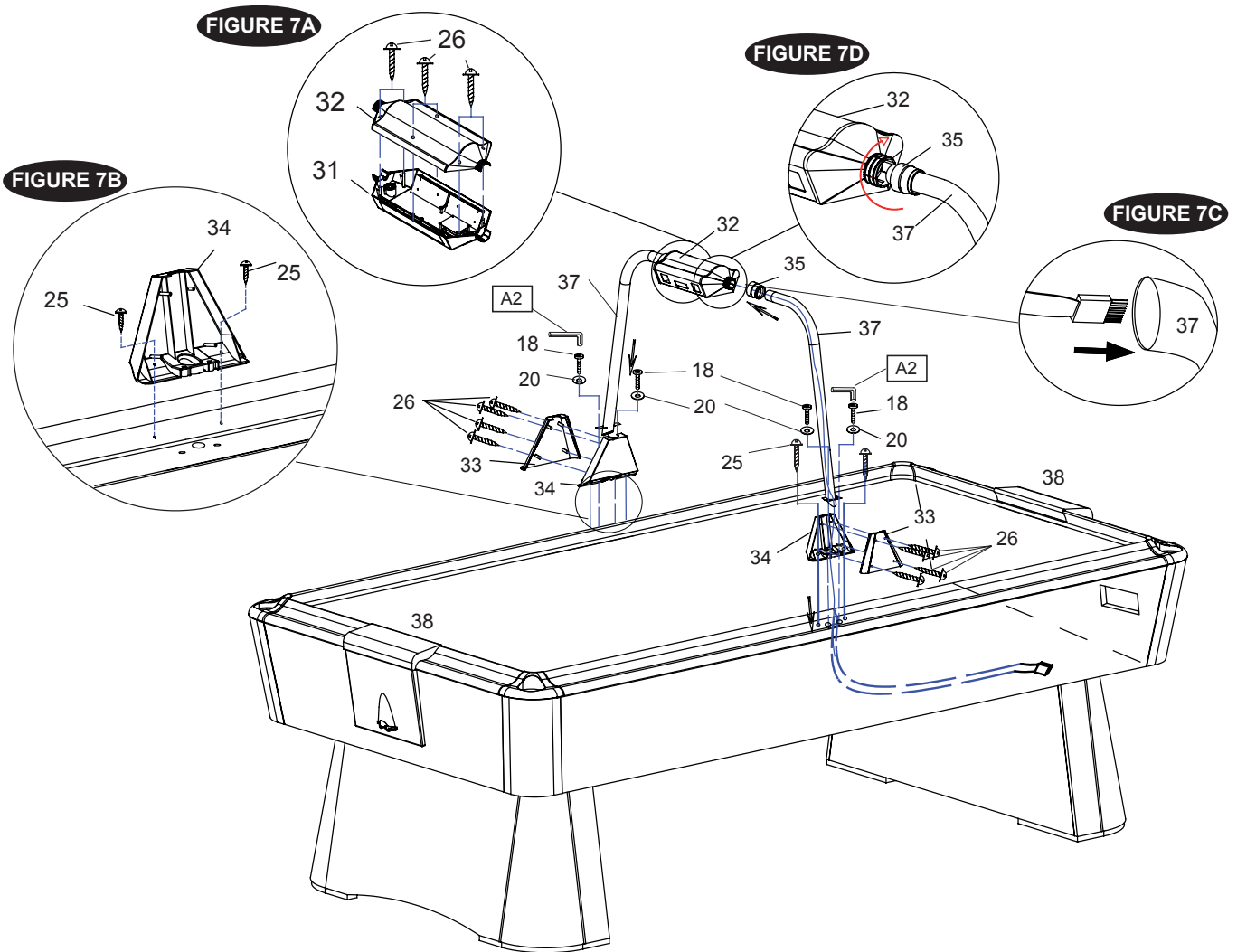
STEP:6

- Attach both Leg Side Panels (#12) between the leg assemblies using four Bolts (#17) and four Washers (#20) at the inside of each Leg Side Panel.
- From underneath the table, attach the Cabinet to the leg assembly using four Washers (#19) and four Bolts (#15) at each end of the table.



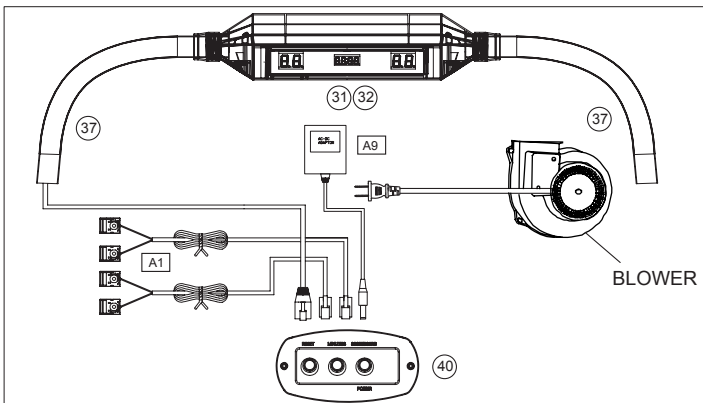
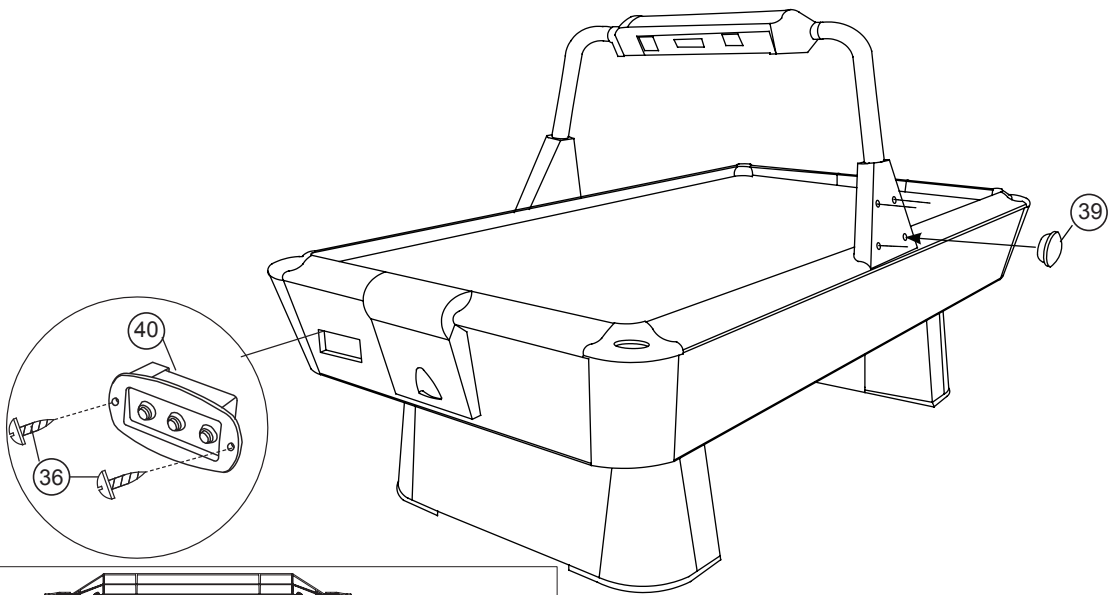
STEP:7

- Attach the Electronic Scorer Base (#31) to the Electronic Scorer Top (#32) using six Screws (#26) at each side. See Figure 7A.
- Attach both Pole Bases - Inside (#34) to the side rails of the table using two Screws (#25) per Pole Base. See Figure 7B.
- Attach the Scorer Pole (#37) to the side rails of the Scorer Pole (#37) using two washers (#20) and two Bolts (#18) per Pole Base.
NOTE: Twist the Plastic Nut (#35) onto the Scorer Pole (#37).
- Insert the plug from the Electronic Scorer (#31/32) into the plug from the Scorer Pole (#37). See Figure 7C and Figure 7D.
- Thread the scorer wire from the Scorer Pole (#37) through the opening of the side rail.
- At this side of the table, attach one Pole Base - Outside (#33) to the Pole Base - Inside (#34) using four Screws (#26). Repeat the same for the other side of the table using the other Scorer Pole (#37).
- Repeat the same at the other end of the Electronic Scorer.



STEP:8

- Attach the Control Box (#40) to the End Apron with opening (#3) with two Screws (#36). and Cover the screw holes on the pole Base-Owtside (#33) with 8pcs screw cap (#39).



Under side the table

