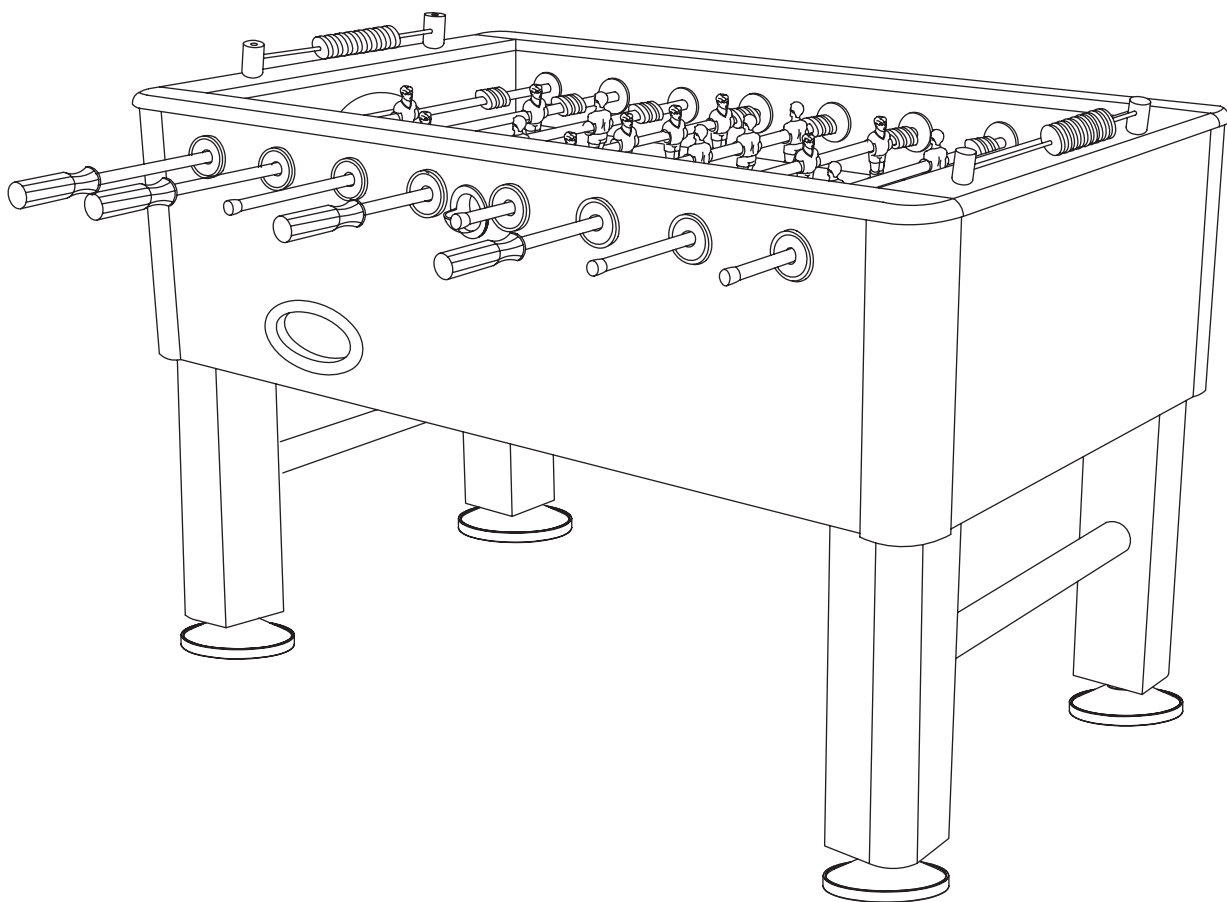


# MODEL NUMBER: ASS-002

## JUMBO SOCCER TABLE



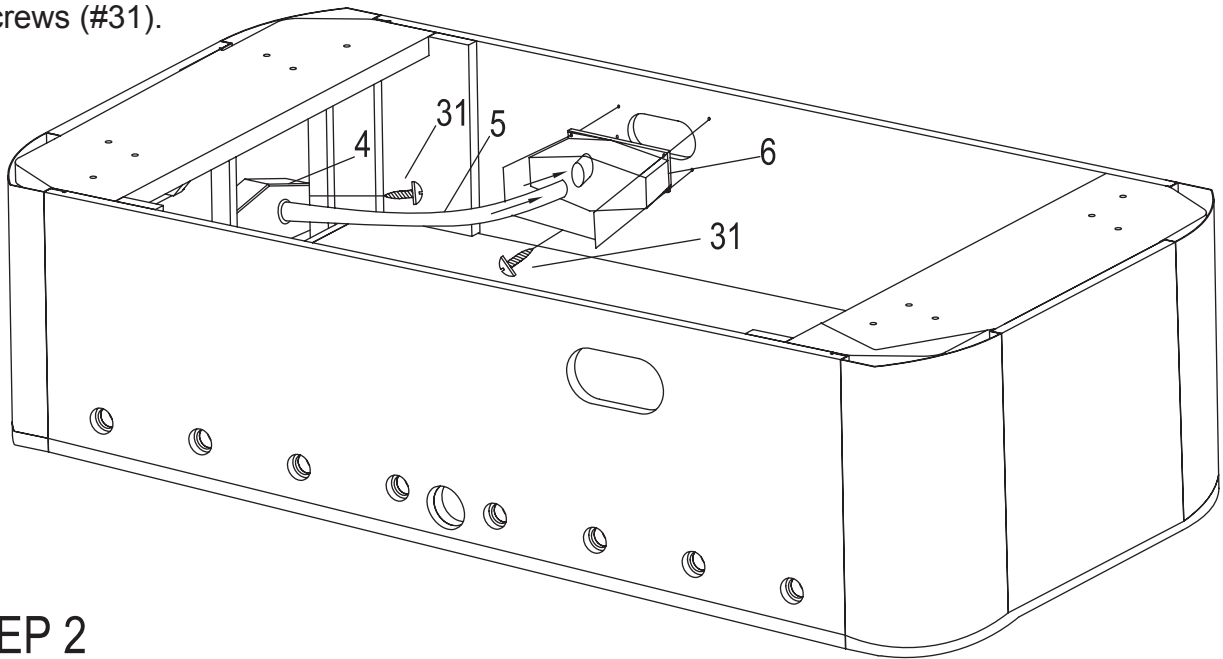
**INSTRUCTION MANUAL**

# Parts List

|  |  |  |   |
|--|--|--|---|
| <p>#1</p>  <p>Main Cabinet<br/>1 Piece</p>                      | <p>#2</p>  <p>Left Leg<br/>2 Pieces</p>             | <p>#3</p>  <p>Right Leg<br/>2 Pieces</p>                     | <p>#4</p>  <p>Goal Box<br/>2 Pieces</p>                        |
| <p>#5</p>  <p>Side Ball Return Tube<br/>2 Pieces</p>            | <p>#6</p>  <p>Side Ball Return Box<br/>2 Pieces</p> | <p>#7</p>  <p>Cross bar<br/>2 Pieces</p>                     | <p>#8</p>  <p>Leg Leveler<br/>4 Pieces</p>                     |
| <p>#9</p>  <p>5/16"*1-1/2"<br/>Allen Key Bolt<br/>12 pieces</p> | <p>#10</p>  <p>1-1/8" Bolt<br/>26Pieces</p>         | <p>#11</p>  <p>Lock Nut<br/>26Pieces</p>                     | <p>#12</p>  <p>Five Player Rod<br/>2Pieces</p>                 |
| <p>#13</p>  <p>Two Player Rod<br/>2Pieces</p>                   | <p>#14</p>  <p>Three Player Rod<br/>4Pieces</p>     | <p>#15</p>  <p>Red Player<br/>11Pieces</p>                   | <p>#16</p>  <p>Blue Player<br/>11Pieces</p>                   |
| <p>#17</p>  <p>Player -Stop Ring<br/>4 pieces</p>             | <p>#18</p>  <p>Steel Bumper<br/>16Pieces</p>      | <p>#19</p>  <p>5/8"X38MM<br/>Steel Washer<br/>16Pieces</p> | <p>#20</p>  <p>5/8"X32MM<br/>Plastic Washer<br/>16Pieces</p> |
| <p>#21</p>  <p>Wooden Handle<br/>8Pieces</p>                  | <p>#22</p>  <p>1-1/2" Bolt<br/>8Pieces</p>        | <p>#23</p>  <p>Elastic Washer<br/>8 pieces</p>             | <p>#24</p>  <p>Rod End Cap<br/>8Pieces</p>                   |
| <p>#25</p>  <p>5/8" Phillips Head<br/>Screw<br/>4 Pieces</p>  | <p>#26</p>  <p>Ball Entry Cup<br/>2 Pieces</p>    | <p>#27</p>  <p>Allen Key<br/>1 Piece</p>                   | <p>#28</p>  <p>Soccer Ball<br/>4 Pieces</p>                  |
| <p>#29</p>  <p>Scorer<br/>2 Pieces</p>                        | <p>#30</p>  <p>1-3/4" Screw<br/>4 Pieces</p>      | <p>#31</p>  <p>1/2" Screw<br/>12 Pieces</p>                |   |

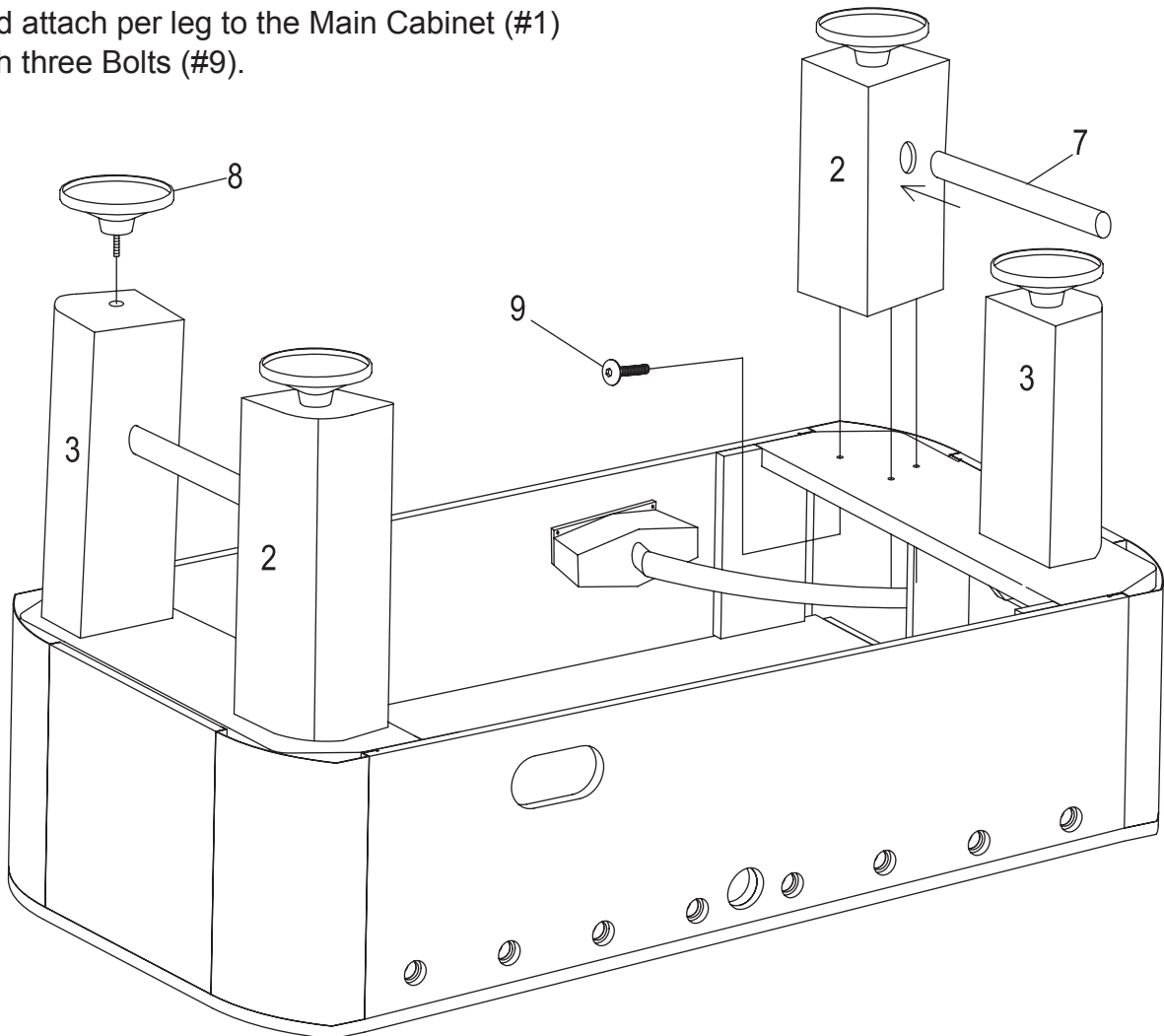
## STEP 1

Insert the Side Ball Return Tube (#5) to Goal Box (#4) and Side Ball Return Box (#6), then attach (#4) to the end side of the Main Cabinet (#1) with two Screws (#31) and attach (#6) to the side of the Main Cabinet (#1) with four Screws (#31).



## STEP 2

Screw one Leg Leveler (#8) to per Left Leg (#2) and Right Leg (#3), and then insert the Cross Bar (#7) to Right Leg and Left Leg, repeat for the other legs. And attach per leg to the Main Cabinet (#1) with three Bolts (#9).



# STEP 3

Slide rods through first set of holes, making sure you are setting the correct rod in correct hole.

Slide Player-stop Ring (#17) on rod and screw it with Bolt (#10) and Lock Nut (#11), then slide Washer (#19), Steel Bumper (#18) and Plastic Washer (#20) onto the rod,

Slide one man onto the rod and screw it with Bolt (#10) and Lock Nut (#11), make sure man is facing your opponent's goal box.

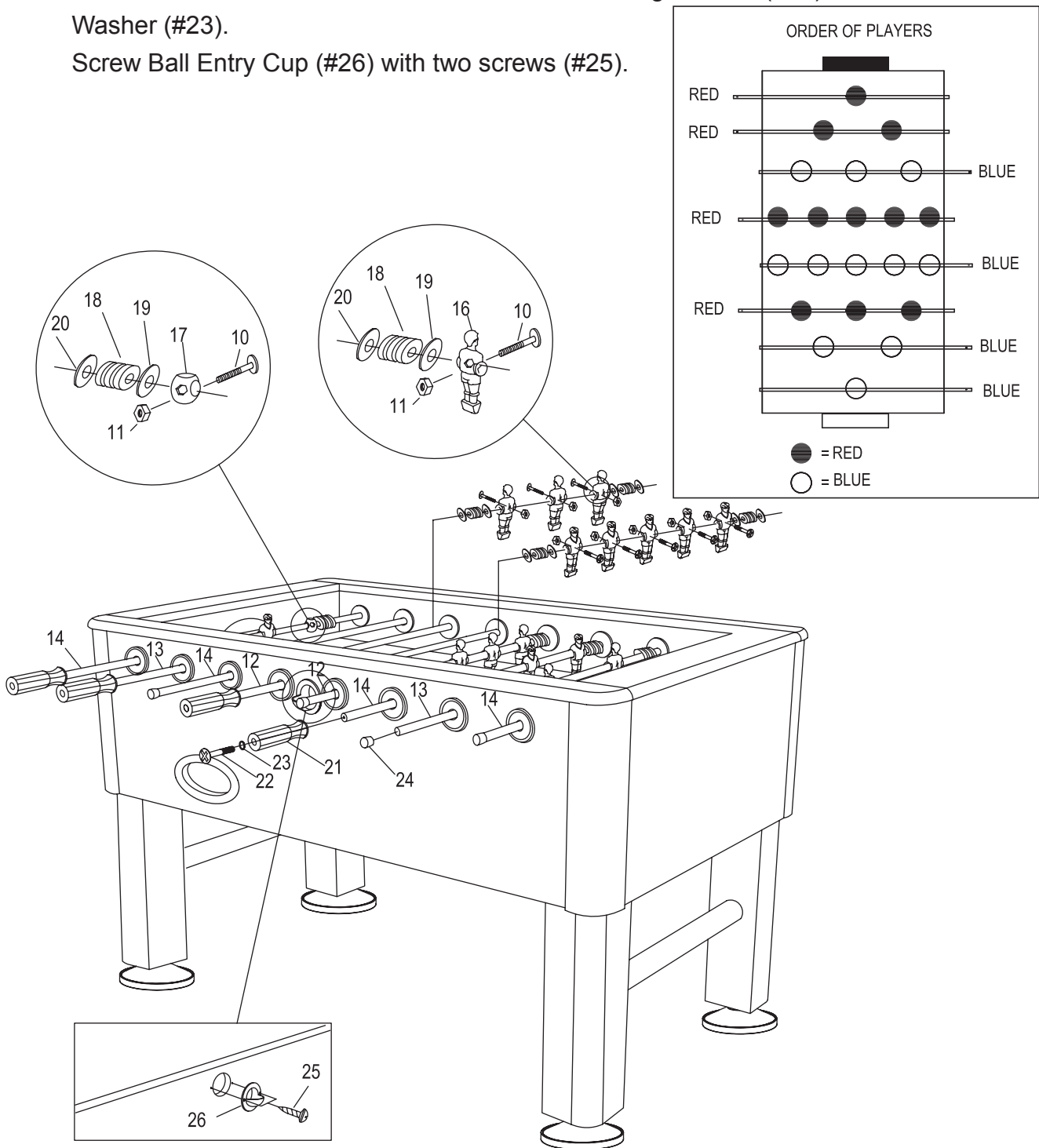
Next Slide the Player-stop Ring (#17) onto the other end of the rod.

Slide the rod through the other end of the table and place Caps (#24) on all ends.

Using the Bolt (#10) and Lock Nut (#11) lock down each playe

The wood handles should be lined and secured using the Bolt (#22) and Elastic Washer (#23).

Screw Ball Entry Cup (#26) with two screws (#25).



# STEP 4

Attach Scorer (#29) with two screws (#30).

